

MODIFICATION RECOMMENDED –
CORRECTS MANUFACTURING OR DESIGN DEFECTS

J2127A-08

S E R V I C E N O T E

Supersedes:
None

Agilent J2127A Transmission Test Set

Serial Numbers: GB27000489, , GB27000490, GB27000491, GB27000492, , GB27000493,
GB27000495, GB27000498, GB27000501, GB27000502, GB27000507 GB27000511, GB27000512,
GB27000513, GB27000514 GB27000515, GB27000516, GB27000602, GB27000607

Incorrect operation of Signal Wizard at STM-0 due to incorrect fitting of resistors

To Be Performed By: Agilent-Qualified Personnel

Parts Required:

P/N	Description	Qty.
0699-3924	Resistor 100 ohm	1
0699-3574	Resistor 0 ohm	1

ADMINISTRATIVE INFORMATION

SERVICE NOTE CLASSIFICATION:			
MODIFICATION RECOMMENDED			
ACTION CATEGORY:	<input type="checkbox"/> IMMEDIATELY <input checked="" type="checkbox"/> ON SPECIFIED FAILURE <input type="checkbox"/> AGREEABLE TIME	STANDARDS:	LABOR: 1.0 Hours
LOCATION CATEGORY:	<input type="checkbox"/> CUSTOMER INSTALLABLE <input type="checkbox"/> ON-SITE <input checked="" type="checkbox"/> SERVICE CENTER	SERVICE INVENTORY:	<input type="checkbox"/> RETURN <input checked="" type="checkbox"/> SCRAP <input type="checkbox"/> SEE TEXT
AVAILABILITY:	PRODUCT'S SUPPORT LIFE	USED PARTS:	<input type="checkbox"/> RETURN <input checked="" type="checkbox"/> SCRAP <input type="checkbox"/> SEE TEXT
AUTHOR: JIM MCW PRODUCT LINE: PL2Q		AGILENT RESPONSIBLE UNTIL:	
ADDITIONAL INFORMATION:			

© AGILENT TECHNOLOGIES, INC. 2002
PRINTED IN U.S.A.



September 18, 2002

Situation:

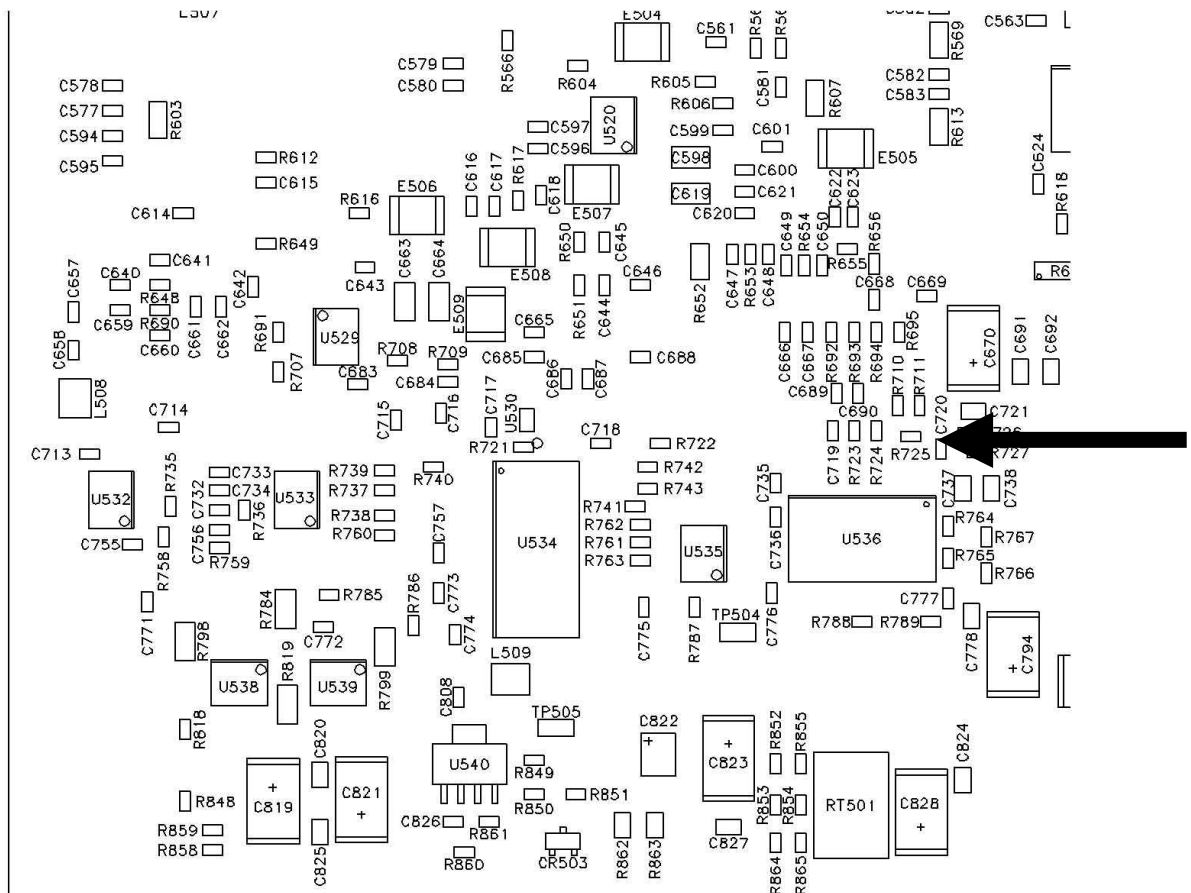
A batch of instruments were shipped with the wrong value resistors fitted to the Digital Board (p/n J2125-63003). This causes incorrect operation of the instrument's Signal Wizard feature at the STM-0 signal rates. All other signal rates are unaffected.

Solution/Action:

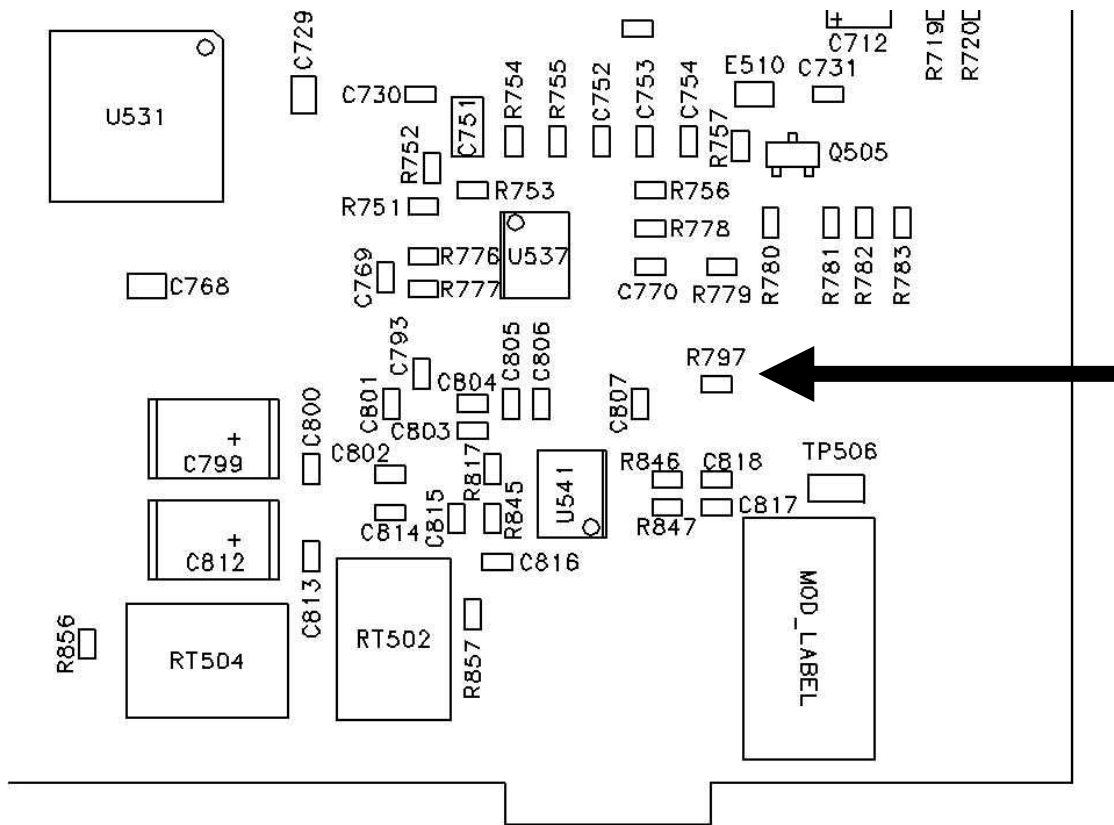
Replace resistors with the correct value parts. Note that the parts are SMT components.

Description

1. Remove the instrument top panel by unscrewing the four corner screws.
2. Lift off the instrument top panel.
3. Remove the Digital Board. The board is the rear-most board in the instrument cardcage.
4. Locate resistors R725 and R797. Use the following illustrations as a guide.



Location of R725 on J2125-63003 Board



Location of R797 on J2125-63003 Board

5. Replace R725 with 100 ohm resistor 0699-3924 and resistor R797 with 0 ohm resistor 0699-3574.
6. Replace the Digital Board and instrument covers by performing the reverse of steps 1 to 3. Ensure the screws on the cover are tightened to a torque of 0.15Nm maximum. Ensure the screws securing the instrument top cover are tightened to a torque of 2.8Nm
7. End of procedure.